

ST-1 SET UP SHEET

| Name of Driver | Date | Track | Radio | Servo | Engine | Plug |
|----------------|-------------------|--------|-------|-------|---------|------|
| | | | | | | |
| Fuel | Spur/ Clutch Bell | Wheels | Tires | Inner | Muffler | |
| Brand: | T/ T | | | | | |
| Nitro: % | | | | | | |

SHOCKS

(Shock Oil Brand: _____)

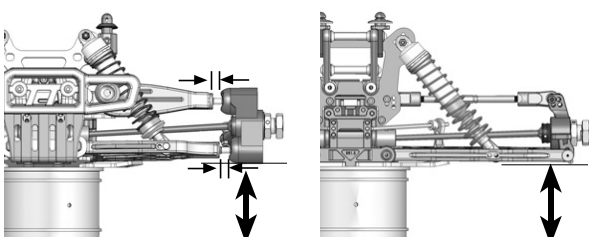
| | Front | Rear |
|--------|--|--|
| Oil # | _____ | _____ |
| Spring | <input type="checkbox"/> Blue: Softer | <input type="checkbox"/> Blue: Softer |
| | <input type="checkbox"/> Red: Average | <input type="checkbox"/> Red: Average |
| | <input type="checkbox"/> Black: Harder | <input type="checkbox"/> Black: Harder |
| Spacer | _____ mm | _____ mm |

DIFF. OIL

| | Front | Center | Rear |
|-------|-------|--------|-------|
| Oil # | _____ | _____ | _____ |

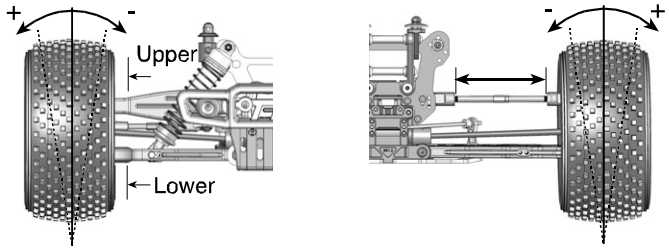
REBOUND STOP

| Front | Rear |
|----------|----------|
| _____ mm | _____ mm |



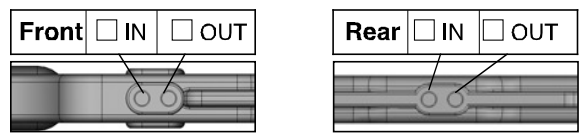
CAMBER ANGLE

| Front | Rear |
|-------------------|------------------|
| ° Upper _____ mm, | |
| ° Lower _____ mm | _____ ° _____ mm |

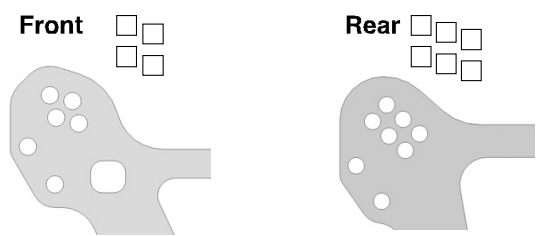


SHOCK MOUNT POSITION

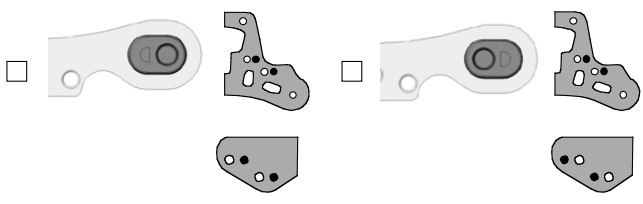
Arm Mounting



Tower Mounting

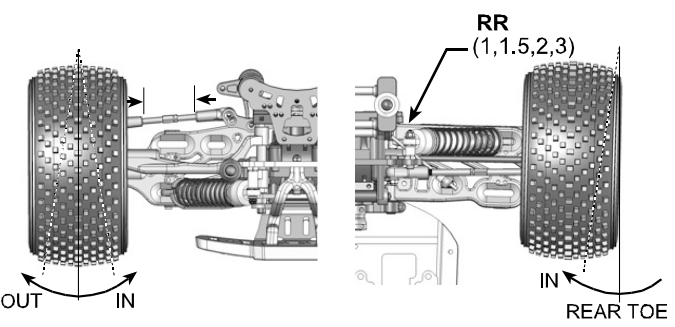


FRONT ARM MOUNTING



TOE ANGLE

| Front | Rear |
|------------------|--|
| _____ ° _____ mm | <input type="checkbox"/> 1, <input type="checkbox"/> 1.5, <input type="checkbox"/> 2, <input type="checkbox"/> 3 |

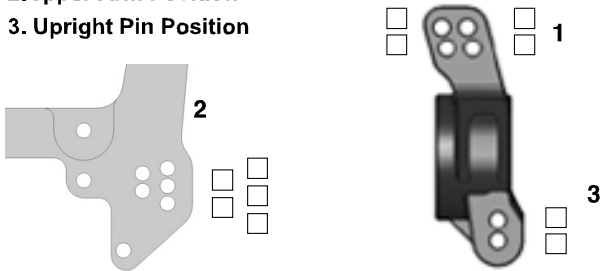


FRONT/ REAR SUSPENSION HOLDER

| Front | Rear |
|-------------------------------|--------------------------------|
| <input type="checkbox"/> FF-1 | <input type="checkbox"/> RF0 |
| <input type="checkbox"/> FF0 | <input type="checkbox"/> RF2 |
| <input type="checkbox"/> FF1 | <input type="checkbox"/> RF3 |
| | <input type="checkbox"/> RF4 |
| <input type="checkbox"/> FR | <input type="checkbox"/> RR1 |
| | <input type="checkbox"/> RR1.5 |
| | <input type="checkbox"/> RR2 |
| | <input type="checkbox"/> RR3 |

REAR UPPER ARM POSITION

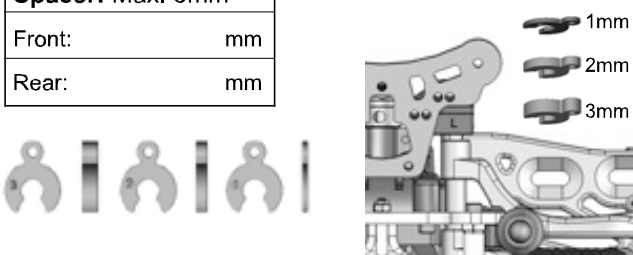
1. Rear Hub Position
2. Upper Arm Position
3. Upright Pin Position



FRONT CASTER

| | |
|-------------------------|----|
| Spacer: Max. 5mm | |
| Front: | mm |
| Rear: | mm |

Maxsimun Installation: 5mm



RACE NOTE

Main: _____ Place TQ _____

Notes: _____

STEERING PLATE

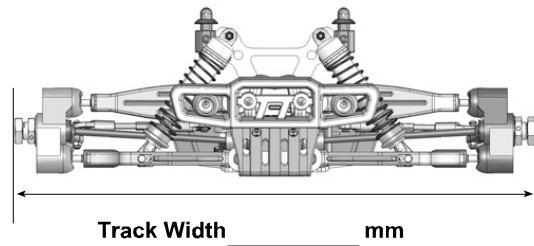
A: Front A

B: Rear B

SWAY BAR

| | | | |
|-------|---------|------------|-------------|
| Front | Gold ø3 | Black ø2.7 | Silver ø2.5 |
| Rear | Gold ø3 | Black ø2.7 | Silver ø2.5 |

TIRES WIDTH

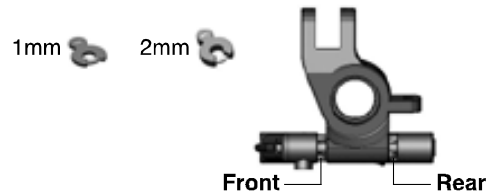


WHEELBASE ADJUSTMENT

Spacer:

Front: 1mm 2mm 3mm

Rear: 1mm 2mm 3mm



TRACK CONDITIONS

Surface: Smooth Bumpy

Bumps: _____

Traction: Low Med High

Composition: _____

Sandy Soft Dirt Grass Clay Other

Wet Dry Dusty Other